

Modular Fuse Holders

for midget fuses, 13/32 x 1 1/2 in.
Snaps easily on 35 mm symmetrical
DIN rail.

Modular fuse holders for midget fuses provide safe operation, easy multipole assembly, and fast fuse installation and replacement.

Features

- Recessed, touch proof terminals ensure personnel safety with the fuse in or out
- UL, CSA rated 30A, at 600 VAC maximum
- Available with or without a blown fuse indicator
- Silver plated copper contacts
- Reliable compression clamp connection, accepts up to 4 AWG (25 mm²) wire
- Thermoplastic polyester insulated body material
- Ventilation slots help dissipate heat from the fuse

Our fuse holder blocks feature a front panel, swing open hinged lever for safe and convenient fuse insertion and withdrawal. These fuse blocks mount easily on symmetrical DIN rails and many poles may be ganged for modular, multipole operation, reducing inventory.

These fuse holders accommodate midget fuses, with no special tools required to replace the fuse. Select units with blown fuse indicators to quickly locate defective circuits and reduce equipment down time. Unique design provides wide fuse contact surface and electrolytic silver plated copper contacts to ensure minimum contact resistance and reliable operation.

Accessories include snap-in module connection pins and fuse lever connection pins for multipole assembly by the user.



Technical Specifications

Mechanical

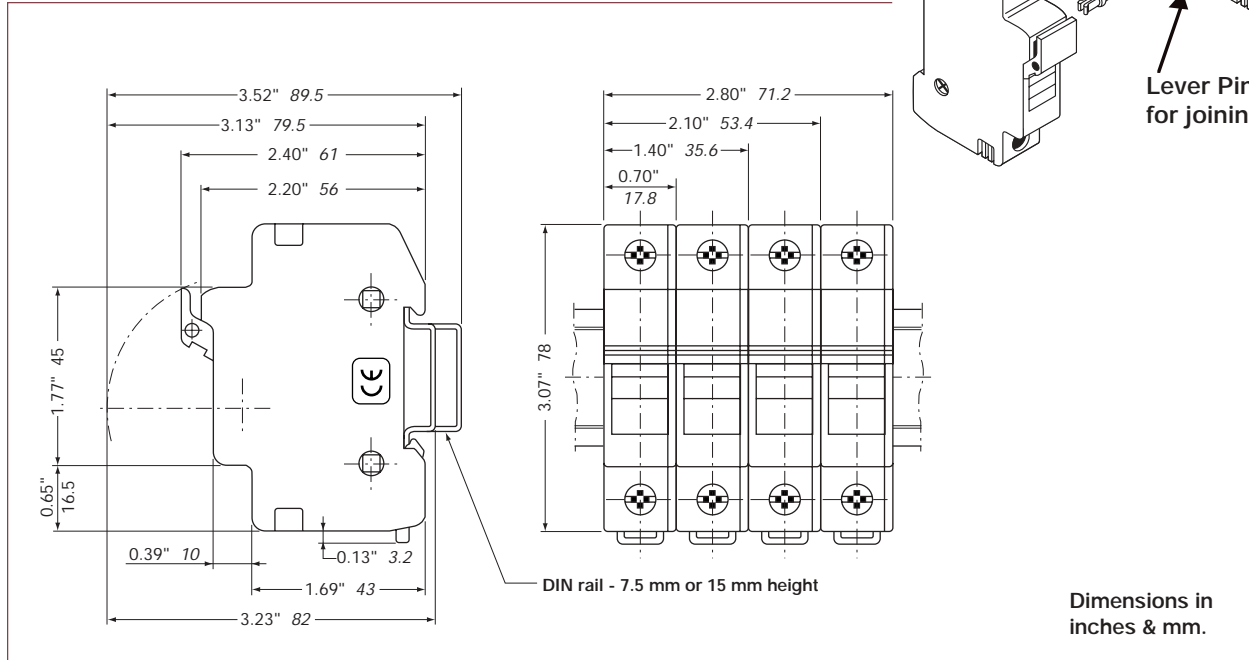
Nominal wire size:	10 AWG (6 mm ²) solid or stranded wire
Connection:	Screw compression clamp
Tightening torque:	Nominal 13.6 lb. in., flat or Phillips head screwdriver
Contacts:	Electrolytic silver plated copper
Body material:	Self-extinguishing, UL V0, thermoplastic polyester, highly temperature resistant
Mounting:	Snap-on to symmetrical DIN rail; isolated from rail

Electrical

Rated voltage, max.	600 VAC
Rated current, max.	30A
Blown fuse indicator:	Neon, on when fuse blows
Operating voltage:	120/600 VAC
Leakage current through neon indicator:	
at 120 VAC:	load connected, 0.5 mA approx.
at 220 VAC:	load connected, 0.6 mA approx.

Information subject to change without notice.

Modular Fuse Holders



Technical Specifications

Mechanical	
Nominal wire size:	10 AWG (6 mm ²) solid or stranded wire
Connection:	Screw compression clamp
Tightening torque:	Nominal 13.6 lb. in., flat or Phillips head screwdriver
Contacts:	Electrolytic silver plated copper
Body material:	Self-extinguishing, UL V0, thermoplastic polyester, highly temperature resistant
Mounting:	Snap-on to symmetrical DIN rail; isolated from rail
Electrical	
Rated voltage, max.	600 VAC
Rated current, max.	30A
Blown fuse indicator:	Neon, on when fuse blows
Operating voltage:	120/600 VAC
Leakage current through neon indicator:	
at 120 VAC:	load connected, 0.5 mA approx.
at 220 VAC:	load connected, 0.6 mA approx.

Ordering Information

Part Number	Description	Neon Indicator	Standard Package	Bulk Package
400.201	Single pole	No	12	120
400.211	Single pole	Yes	12	120
400.202	Double pole	No	6	60
400.212	Double pole	Yes	6	60
400.203	Triple pole	No	4	40
400.213	Triple pole	Yes	4	40
400.204	Triple pole + neutral	No	3	30
400.214	Triple pole + neutral	Yes	3	30
Midget fuses: 13/32 x 1 1/2 in. Contact Yes Controls				
Accessories				
400.095	Connection pin		12	120
400.096	Lever pin		12	120
450.091	Neutral cartridge		10	100

Information subject to change without notice.